



SPACE DERBY

Welcome to the 2014 Space Derby Newsletter

Mark Your Calendar

Space Derby

Check In

November 15th: 1pm to 2pm
At "The Shed" on the FCC
campus.

Check in will close at 2PM sharp
so come early!!

Space Derby Competition

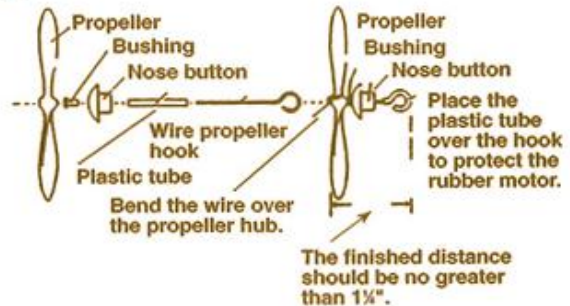
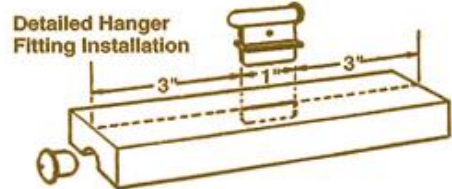
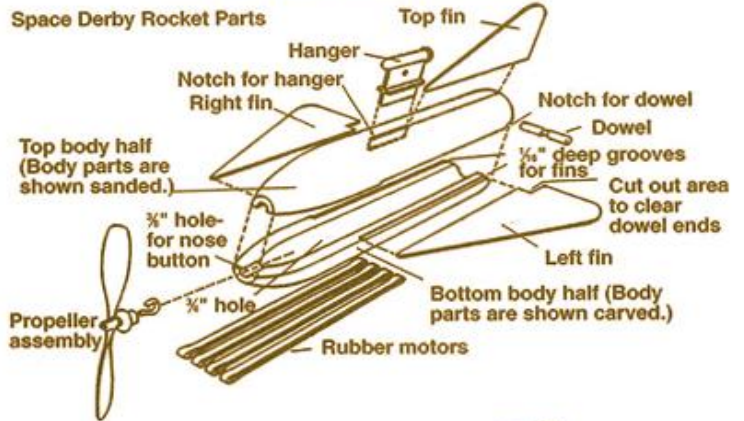
November 15th: 2pm to 4pm
At "The Shed" on the FCC
campus.

What Number is My Rocket?



USE THE FOLLOWING AS A GUIDE TO BUILD YOUR ROCKET

Space Derby Plan Assembly Instructions



[http://pack350.homestead.com/Rocket
Construction Guide.pdf](http://pack350.homestead.com/Rocket_Construction_Guide.pdf)

See Sheet 2 for more details

To the parents



The following rules must be considered when helping your son create his Space Derby rocket.

- You must use the Balsa wood, propeller, bushing, spinner wire and nose button that are included in your Space Derby kit. You may make the balsa wood body of the rocket as small and light as you wish. Remember though if it is too thin it may break from the rubber band force.

- Verify that your son's assigned number is painted or written indelibly on the rocket.

- Purchased propellers and other parts are prohibited.

- The included propeller and nose button filed and smoothed. Don't forget the bushing.

- The pack will provide rubber band. **Do not attach rubber bands.** Any rubber bands that are checked in with the rocket will be removed and replaced with pack supplied bands.

- Dry** lubricant is permitted on the spinner hub at check-in.

- Details, such as fins, stickers, and other unique additions are permitted as long as the prop, rear rubber band holder and supplied plastic hanger are installed.

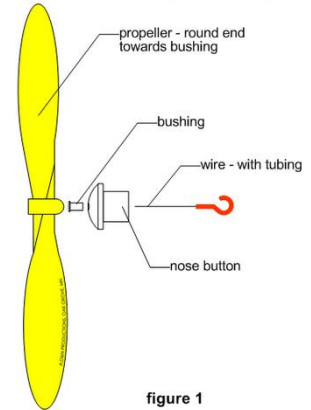
- Do **not** glue the rear rubber band holder to your rocket. It must be removable in order to wind your rubber bands.

- Do **not** squeeze the hook on the metal propeller closed so we can replace the rubber bands.

- Each rocket must pass inspection by the official inspection committee before it may compete.

- If, at registration, a rocket does not pass inspection, the owner will be informed of the reason for failure, and will be given up to 2PM to make the adjustment.

Please note that your child's rocket will be disqualified for not following the above rules.



A Message From The Cubmaster:

- The Space Derby is an excellent opportunity to teach winning (and losing) gracefully, emphasize sportsmanship and focus on "Do Your Best".

- The judges decisions are final.

- Once a Rocket has been checked in, it may not be given back to the owner until competition of the Derby is completed.

- If "in-race" adjustments must be made, the judges will direct an independent Derby mechanic to perform the work.